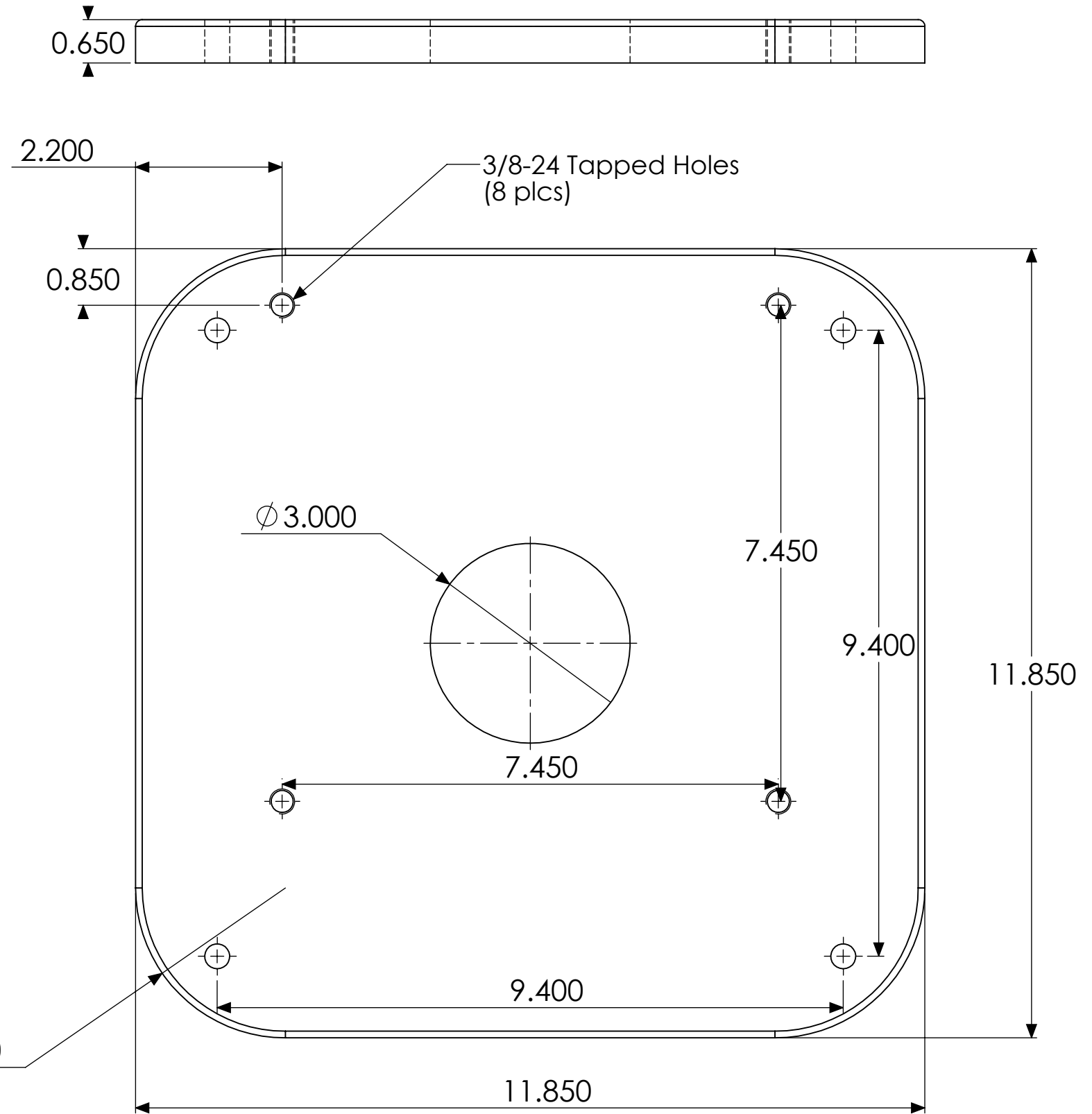


Scale 1:3



PROPRIETARY AND CONFIDENTIAL
 THE INFORMATION CONTAINED IN THIS DRAWING IS THE SOLE PROPERTY OF SOFTWARE BISQUE. ANY REPRODUCTION IN PART OR AS A WHOLE WITHOUT THE WRITTEN PERMISSION OF SOFTWARE BISQUE IS PROHIBITED.

Stock Size
 Fixturing
 Assembly
 Number

DIMENSIONS ARE IN INCHES
 TOLERANCES:
 FRACTIONAL ±
 TWO PLACE DECIMAL
 ± 0.020
 THREE PLACE DECIMAL
 ± 0.005
 MATERIAL
 FINISH
 DO NOT SCALE DRAWING

	INITIALS	DATE
DRAWN		
CHECKED		
ENG APPR.		
MFG APPR.		
Q.A.		

COMMENTS:

Software Bisque

Project: **Paramount MX**

Part Name:
mx permanent pier top plate

SIZE **A** DWG. NO.

Rev **1**

SCALE: 1:2 WEIGHT:

SHEET 1 OF 1